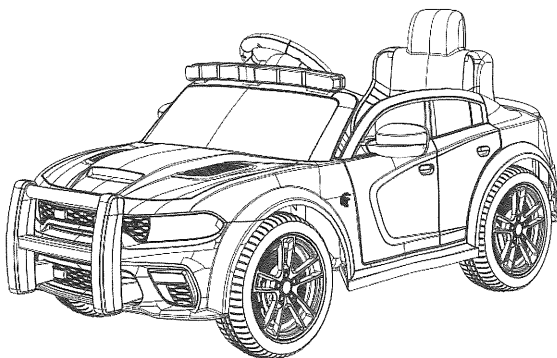
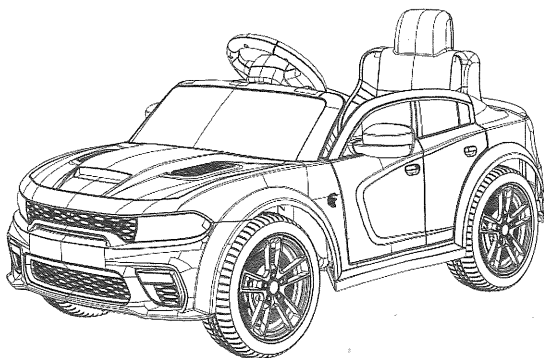


# DODGE CHARGER SRT HELLCAT REDEYE WIDEBODY BATTERY-OPERATED RIDE ON CAR

**Type A: ZB911  
(Police Car Version)**



**Type B: ZB918**



## User Manual with Assembly Instructions

**Styles and colo(u)rs may vary.  
Made in China.**

**Warning!** The Ride-on Car must be assembled by an adult who has read and understands the instructions in this manual.  
Keep the package away from children and dispose of properly before use.  
Keep this manual for future reference.

Dear Customer,

We'd like you to make the best use of our product with safety and enjoyment. Please read the entire user manual carefully before you use the product. It shows the correct method of installation, operating procedures, warnings and safety notes to help assure you and your rider a safe ride. Please keep it for future reference.

Dodge, HEMI and related logos, vehicle model names and trade dress are trademarks of FCA US LLC and used under license by Shanghai Zhenbao Industrial Co., Ltd.. ©2022 FCA US LLC.

Manufacturer: Shanghai Zhenbao Industrial Co., Ltd.  
Address: Room 102, XinFeng Highway Road#4972,  
Fengxian District, Shanghai, China  
Web: [www.zhenbaosh.com](http://www.zhenbaosh.com)

## SPECIFICATIONS:

<b>Battery</b>	12V4.5AH*1	or 12V7AH*1
<b>Charger</b>	12V500MA*1	or 12V1000mA*1

Suitable age: 37-96 months  
Load Capacity: Under 30kg  
Speed: 2-6 km/h  
Size of car: TYPE A: 112 x 68 x 50 CM (With Bumper)  
TYPE B: 107 x 68 x 50 CM  
Power way: Charging type  
Charge time: 8-12 hours  
Remote control frequency: 2.4GHz

 **WARNING!**

The following safety hazards may result in serious injury or death:

- **CHOKING HAZARD** - Small parts. Not suitable for children under 37 months. The product contains small parts, keep out of children's reach for all parts and packings and dispose of all packaging before use.
- **ADULT ASSEMBLY REQUIRED.**
- Any child must be supervised by adult while using the product and such the adult caregiver should not leave during driving process.
- Personal protective equipment should be worn. Always wear shoes & helmet and sit in the seat fixed by safety belt properly when operating the vehicle.
- This toy should be used with caution since skill is required to avoid falls or collisions causing injury to the user or third parties. Adults must teach their children around safe driving procedures.
- **Not to be used in traffic.** To reduce the risk of injury, adult supervision is required. Never use in roadways, near motor vehicles, on or near steep inclines or steps, swimming pools or other bodies of water;
- Never use in unsafe conditions such as snow, rain, loose dirt, mud, sand, lawn or gravel, otherwise may result in an unexpected accident such as tipping over, and could damage the electrical system or battery.
- The vehicle maximum load weight is 30kg, and never allow more than one rider.
- This toy has no brake;
- Keep your hands, feet, hair, a body part or loose clothing away from moving parts.
- It is prohibited to short circuit or change the electric circuit system which may cause a shock, fire or explosion and permanently damage the system. Inspect all wires and connection of the vehicle periodically.
- Never open the battery. Battery posts, terminals and related accessories contain lead and lead compounds (acid) chemicals which are toxic and corrosive.

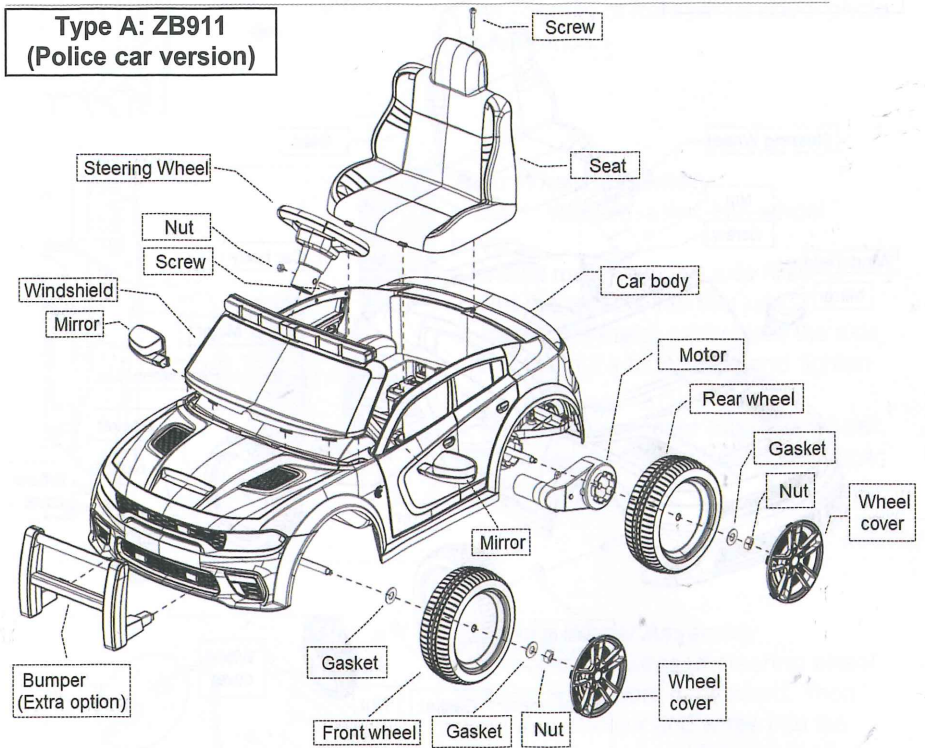
**SAFETY PRECAUTIONS! WARNING!**

1. Check the seat to ensure it has been fitted and secured with a screw before driving. In order to avoid accidents, please ensure the vehicle is safe before driving. Please watch fingers when opening and closing doors.
2. Clean the vehicle with a dry cloth only.
3. Children under 3 years of age cannot use the vehicle. Only drive on level ground. Do not go near swimming pools or other bodies of water, drop-offs or up and down steep inclines. Do not drive the vehicle into loose dirt, mud, sand or fine gravel. Do not drive the vehicle on streets or near cars.
4. Make sure that the vehicle stops completely before changing direction from forward to reverse. Please turn the power off when not in use.
5. Don't allow children to operate the charger or play with the battery. Charging the battery should only be done by adults. Charging plug is located underneath the seat.

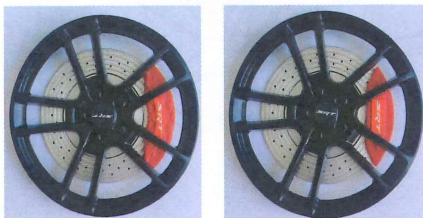
# Parts diagram of Type A | 3

Car body 1pc	Windshield 1pc	Steering wheel 1pc	Seat 1pc
Motors 2pcs	Rear wheels 2pcs	Front wheels 2pcs	Remote control 1pc
Mirrors 2pcs	Charger 1pc	Front wheels cover 2pcs	Rear wheels cover 2pcs
1 Bag of screws & nuts	Manual 1pc		

Kind notes: the Bumper and Microphone are Extra Options for police car version only.



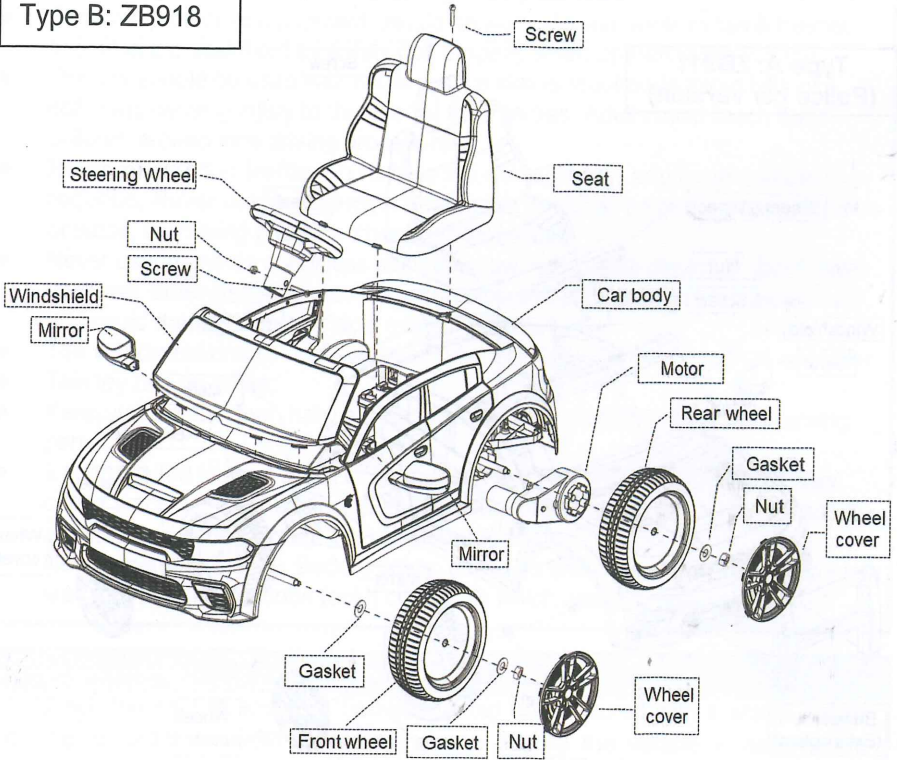
Below are the photos of front wheels cover (left) and rear wheels cover (right) for reference, in which only the design of red decorative caliper is different.



# Parts diagram of Type B | 4

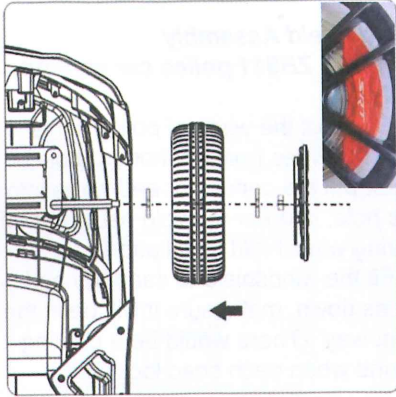
Car body 1pc	Windshield 1pc	Steering wheel 1pc	Seat 1pc
Motors 2pcs	Rear wheels 2pcs	Front wheels 2pcs	Remote control 1pc
Mirrors 2pcs	Charger 1pc	Front wheels cover 2pcs	Rear wheels cover 2pcs
1 Bag of screws & nuts	Manual 1pc		

Type B: ZB918



Below are the photos of front wheels cover (left) and rear wheels cover (right) for reference, in which only the design of red decorative caliper is different.

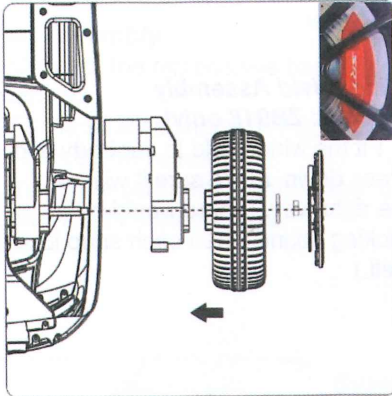




### Front Wheel Assembly

• Gasket-Wheel-Gasket-Nut-wheel cover;

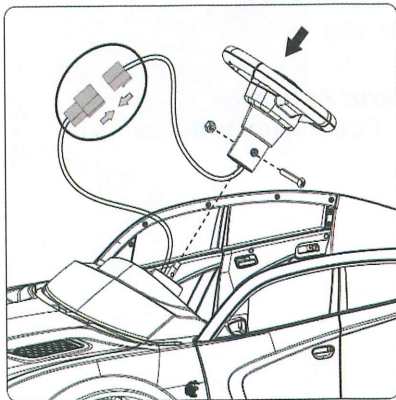
1. Insert one metal gasket into the axle.
  2. Put the wheels into the axle.
  3. Insert another metal gasket into the axle.
  4. Put the nut into the axle and tighten it.
  5. Put the wheel cover onto the wheel.
- (The zoom in of front wheel cover photo for reference.)



### Rear Wheel Assembly

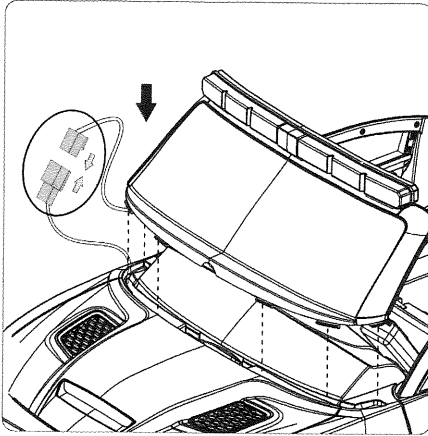
• Motor-Wheel-Gasket-Nut-wheel cover;

1. Install motor into the axle first.
  2. Put the wheels into the axle.
  3. Insert one metal gasket into the axle.
  4. Put the nut into the axle and tighten it.
  5. Put the wheel cover onto the wheel.
- (The zoom in of rear wheel cover photo for reference.)



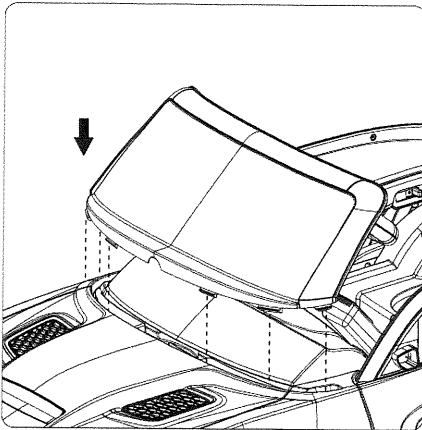
### Steering Wheel Assembly

1. Connect the wires of steering wheel with the wires from dashboard. Then put the connector and wires into the hole, in order to avoid being cut off during steering wheel installation.
2. Take off the screw on the steering wheel axle.
3. Slide the steering wheel into the Axle.
4. Tighten the nut to lock the steering wheel.



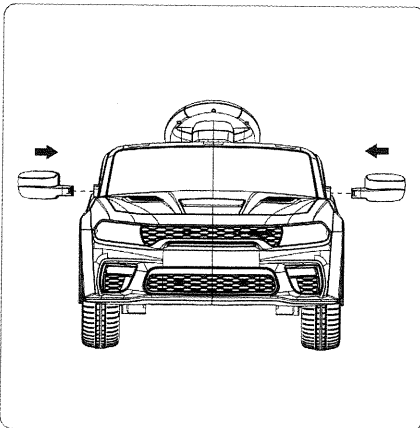
**Windshield Assembly**  
(Type A: ZB911 police car version only)

1. Connect the wires of police lights with the wires from dashboard hole; Then put the connector and wires into the hole, in order to avoid being cut off during windshield installation.
2. Fit the windshield to car body and press down, make sure it will be in the right way. (There would be a clicking sound when each snap lock well.)



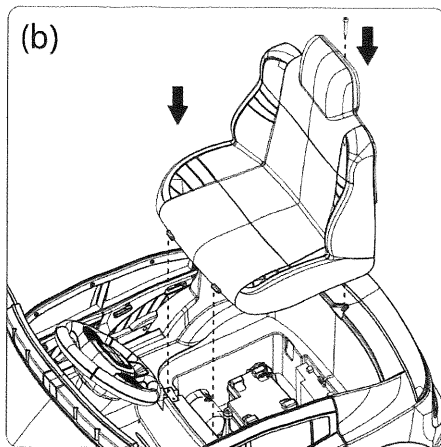
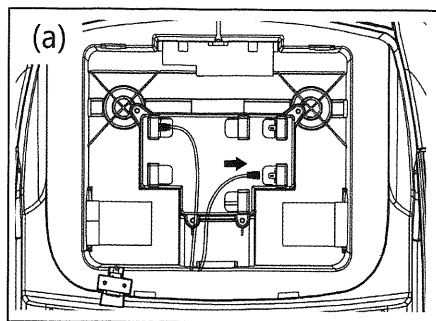
**Windshield Assembly**  
(Type B: ZB918 only)

1. Fit the windshield to car body and press down, make sure it will be in the right way. (There would be a clicking sound when each snap lock well.)



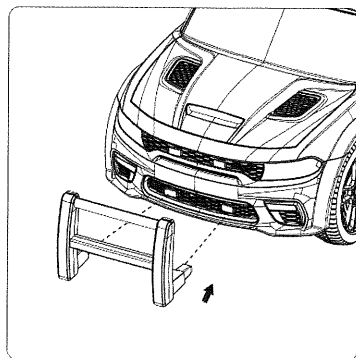
**Mirror Assembly**

1. Fit the mirror to the car body.



**Seat Assembly**

1. Connect the red positive battery cable under the seat. Figure (a) shows an example.
2. Fit the seat as shown in Figure (b) (make sure the seat into the slots on the rear of the vehicle);
3. Insert the screw through the seat back-top and into the vehicle body, and tighten it with a screwdriver.

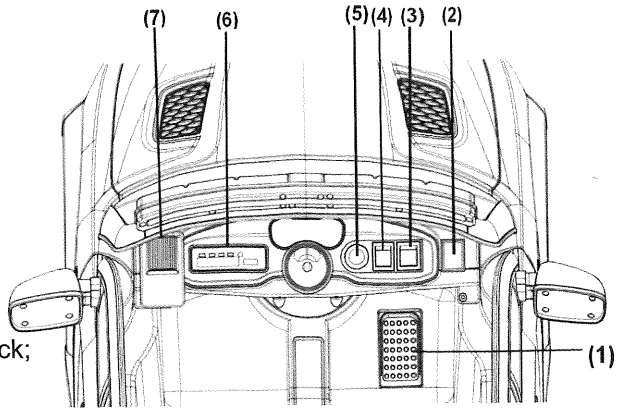


**Bumper Assembly (option)**

(Bumper is an extra option)

1. Fit the Bumper to car body and press into, make sure it will be in the right way.



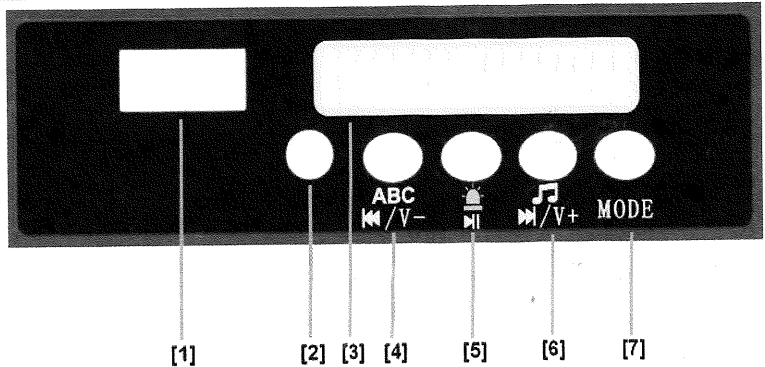


**Functions:**

- (1): Pedal;
- (2): Lights switch;
- (3): Forward, stop, back;
- (4): Speed switch;
- (5): Power switch;
- (6): Multi-media;
- (7): Microphone (Extra option for police car version only);

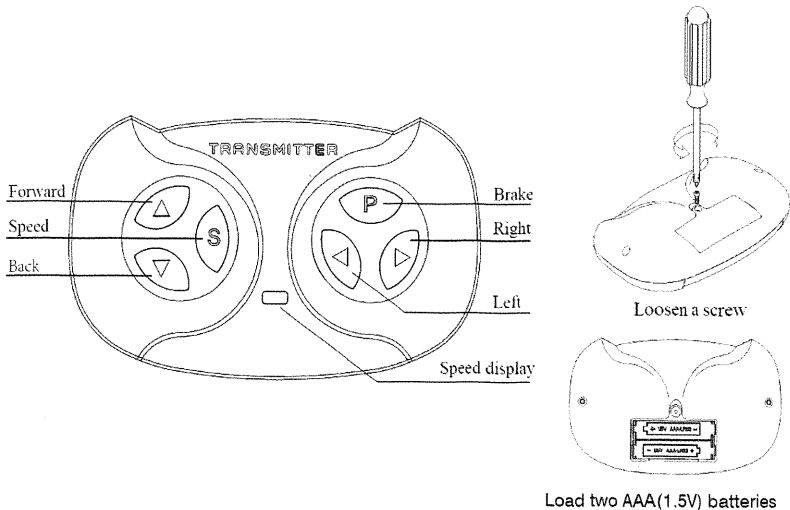
*Pictures are for reference only; functions may vary with different model and setting; please adhere to the original products as standard.*

**Multi-media Functions:**



- [1] Socket for Flash Drives
- [2] MP3 Input (or Microphone for police car version only)
- [3] Power Display
- [4] Education (Pressing for a longer time to lower the volume)
- [5] Story (Next one, or Police siren and lights for police car version only)
- [6] Music (Pressing for a longer time to Higher the volume)
- [7] Model choose (MP3, Flash Drives, FM or Mobile wireless connection via YJ-BTcar)

*Pictures are for reference only; functions may vary with different model and setting; please adhere to the original products as standard.*



**This remote must be used by adult only.**

**2.4G HZ Remote Control Operations Guide:**

Step 1: The Remote Controller is loaded with two AAA batteries.

Step 2: Turn off the power switch of the vehicle.

Step 3: Hold down “▲” & “▼” keys for 3 seconds to start match code. When the first LED flicker, then turns on the vehicle power switch. The red indicator lights stop flashing, then the code is successful.

Keys caption “S” set up speed, 1 led lit up is low speed, 2 leds lit up is medium speed, 3 leds lit up is high speed,

“▲” Forward, “▼” Back, “◀” Left, “▶” Right, Press “P” key hold to stop, All LED flicker

*Pictures are for reference only; functions may vary with different model and setting; please adhere to the original products as standard.*

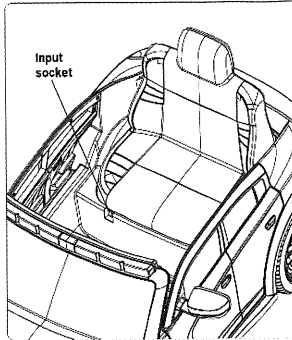
**WARNING! Not for children under 37 months. Small parts. Choking hazard.**

- Load two AAA (1.5V) batteries according to the diagram.
- Non-rechargeable batteries are not to be recharged.
- Different types of batteries or new and used batteries are not to be mixed.
- Batteries are to be inserted with the correct polarity.
- Exhausted batteries are to be removed from the toy.
- The supply terminals are not to be short-circuited.
- The packaging must be retained since it contains important information.
- Charging battery must only be under adult's supervision.

**⚠ Warning!**

- **ONLY an adult is allowed charge and recharge the battery!**
- **This product with Charging Protection: when charging, all functions will be cut off.**

- Battery polarity cannot be reversed. Please ensure the red wire is connected to the red battery terminal and the black wire is connected to the black battery terminal.
- The POWER SWITCH must be turned in OFF position when charging.
- Before the first use, it recommended to charge the battery for 4-6 hours, but not more than 10 hours.
- When the vehicle begins to run slowly, recharge the battery.
- After each use or once a month minimum recharge time as 8 to 12 hours, less than 20 hours at most. Failure to charge the battery as directed will cause permanent damage to battery and will void warranty.
- Use the only rechargeable battery and charger supplied with your vehicle. NEVER substitute the battery or the charger with another brand. Using another battery or charger may cause a fire or explosion.
- Do not use the battery or charger for any other product.
- The charger may feel warm during charging. If excessively hot, unplug and replace.



1. Plug the charger port into the input socket.
2. Plug the charger plug into a wall outlet. The battery will begin charging.
3. Unplug the charger when the battery is fully charged.

**Battery Disposal**

- **Dead battery:** it eventually loses the ability to hold a charge. Depending on the amount of use, and varying conditions, the battery should operate for one to three years.
- **Important!** Lead-acid batteries are completely recyclable. Recycle the dead battery responsibly. It is illegal in most areas to incinerate lead acid batteries or dispose of them in landfills. Dispose of in accordance with all applicable local, state, and national regulations.
- Do not throw the battery away with your regular household waste!

Completely read through this manual and the troubleshooting guide table before calling. ***If you still need more help, please contact your distributor.***

	Thermal fuse has tripped	Reset fuse. See <Fuse>
	Battery connector or wires are loose or not connecting properly	Check that the battery connectors are firmly plugged into each other. If wires are loose around the motor <b><i>Please contact your distributor.</i></b>
	Battery is dead	Replace battery, <b><i>please contact your distributor.</i></b>
	Electrical system is damaged	<b><i>Please contact your distributor.</i></b>
	Motor is damaged	<b><i>Please contact your distributor.</i></b>
Vehicle does not run very long	Undercharged battery	Check that the battery connectors are firmly plugged into each other when recharging; Charging following the instruction. See <Charging>
	Battery is old	Replace battery, <b><i>please contact your distributor.</i></b>
Vehicle runs sluggishly	Low Battery	Recharge battery, <b><i>please contact your distributor.</i></b>
	Battery is old	Replace battery, <b><i>please contact your distributor.</i></b>
	Vehicle is overload	Reduce weight on vehicle.
	Vehicle is being used in harsh conditions	Avoid using vehicle in harsh conditions. See < safety notice>;
Vehicle needs a push to go forward	Poor contact of wires or connectors	Check that the battery connectors are firmly plugged into each other. If wires are loose around the motor, <b><i>please contact your distributor.</i></b>
	"Dead Spot" on motor	A dead spot means the electric power is not being delivered to the terminal connection and the vehicle needs repair. <b><i>Please contact your distributor.</i></b>
Loud grinding or clicking noises coming from motor or gear box	Motor or gears are damaged	<b><i>Please contact your distributor.</i></b>
Battery will not recharge	Battery connector or adapter connector is loose	Check that the battery connectors are firmly plugged into each other.
	Charger not plugged in	Check that the battery charger is plugged into a working wall outlet.
	Charger is not working	<b><i>Please contact your distributor.</i></b>
Charger feels warm when recharging	This is normal and not a cause for concern	See <Charging>.

**CARE WARNING!**

- **Park the vehicle indoors or cover it with a tarp to protect it from wet weather.**
- **Do not leave the vehicle in the sun for long periods of time or fading may occur.**
- **Store in shade or cover with tarp.**
- **Do not wash the vehicle with a hose.**
- **Do not wash the vehicle with soap and water.**

- It is parents' responsibility to check main parts of the toy before using, must regularly examine for potential hazard, such as the battery, charge, cable or cord, plug, screws are fastening enclosure of other parts and that in the event of such damage, the toy must not be used until that damage had been properly removed.
- Make sure the plastic parts of the vehicle are not cracked or broken.
- Occasionally use lightweight oil to lubricate moving parts such as wheels and steering linkage. Do not use oil on plastic which no lubrication is required.
- Keep the vehicle away from sources of heat, such as stoves and heaters. Plastic parts may melt.
- Recharge the battery after each use. Only an adult can handle the battery. Recharge the battery at least once a month when unused for more than a month.
- Do not drive the vehicle in rainy or snowy weather. Water will damage the motor, electric system and battery.
- Clean the vehicle with a soft, dry cloth. To restore shine to plastic parts, use a non-wax furniture polish. Do not use car wax. Do not use abrasive cleaners.
- When not using, all the electrical source should be turn off. Turn off the power switch and disconnect the battery connection.

**Fuse**

The battery features a thermal self-resetting fuse that will automatically trip and cut off all power to the vehicle if the motor, electric system or battery is overloaded. In that case, it will cut off the power automatically, unit is turned OFF for 20 seconds and then turned ON again. If the thermal fuse trips repeatedly during normal use, the vehicle may need repair. Contact your distributor please.

To avoid losing power, please follow below guidelines:

- Do not overload the vehicle.
- Do not tow anything behind the vehicle.
- Do not drive on steep slopes.
- Do not drive into fixed objects, which may cause the wheels to spin, causing the motor to overheat.
- Do not drive in very hot weather, components may overheat.
- Do not allow water or other liquids to come in contact with the battery or other electric components.
- Do not tamper with the electric system. Doing so may create a short, causing the fuse to trip.

Our products are suitable for  
ASTM F963; GB6675 and GB19865; EN71 and EN62115 standard.